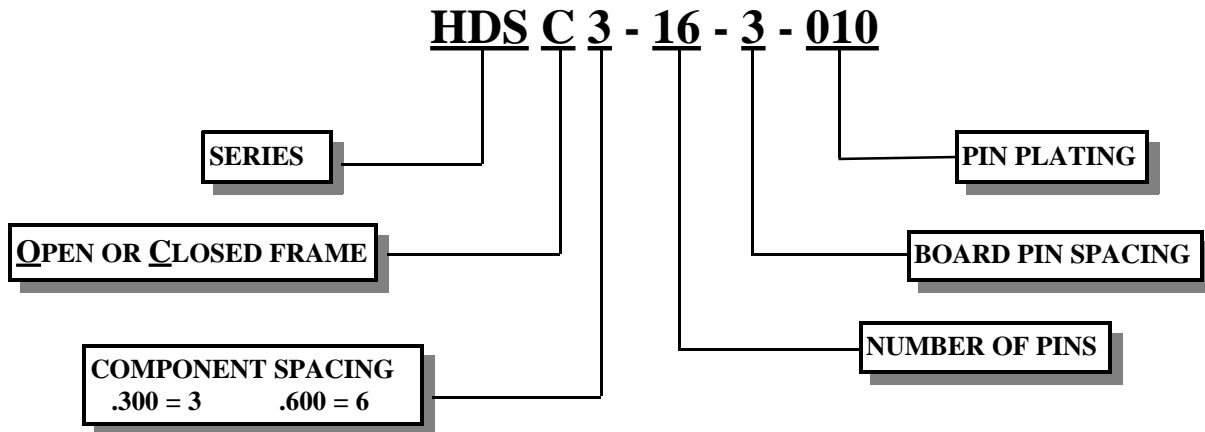


# HORIZONTAL L.E.D. DISPLAY SOCKET



NO. OF PINS	FIGURE	"A" DIM MAX	"B" DIM MAX	"C" DIM MAX	PART NUMBER
8	1	7.62 / .400	10.16 / .400	7.62 / .300	HDSC3-08-3-010
14		10.16 / .700			HDSC3-14-3-010
16		17.78 / .800			HDSC3-16-3-010
18		20.32 / .900			HDSC3-18-3-010
20		22.86 / 1.000			HDSC3-20-3-010
24		30.48 / 1.200			HDSC3-24-3-010
24	2	30.48 / 1.200	17.78 / .700	15.24 / .600	HDSC6-24-3-010
28		35.56 / 1.400			HDSC6-28-3-010
32		40.64 / 1.600			HDSC6-32-3-010
36		45.72 / 1.800			HDSC6-36-3-010
40		50.80 / 2.000			HDSC6-40-3-010

**FEATURES:**

Insulator: Thermoplastic polyester, UL rated 94V-0

Two piece, machined socket terminal  
 inner contact - beryllium copper, gold plated  
 Outer shell - brass, tin or gold plated

Closed frame construction for maximum stability

Pin Plating: 010 = Tin plated outer shell / Gold plated 10u" inner contact

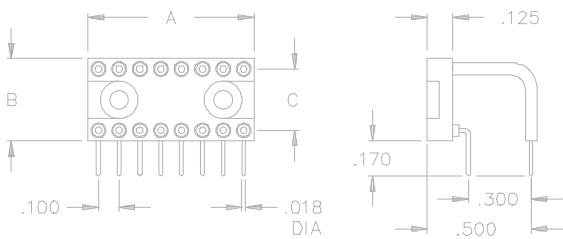
Tapered entry socket for ease of insertion

Component side by side and end to end grouping

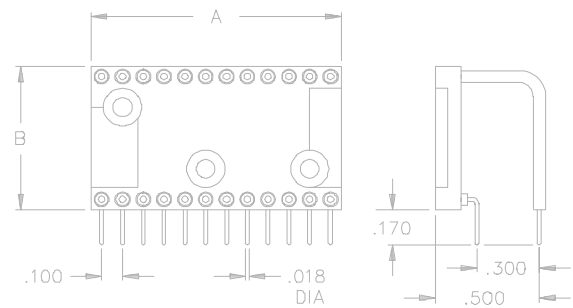
Custom designs and loading upon request

Open frame construction for maximum cooling

Hi-Temp alternatives available for IR and Vapor phase soldering



**FIG. 1**



**FIG. 2**